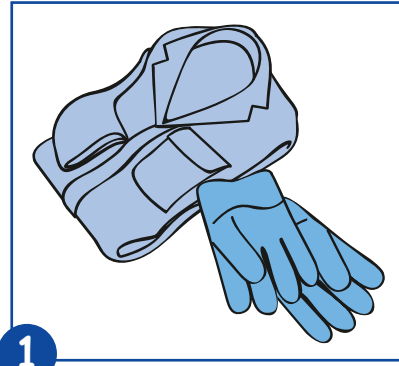


JANGRO Product Guide



Lemon Floor Gel BD040-5



1

Use appropriate PPE as indicated in COSHH/REACH data.



2

Place safety signs.



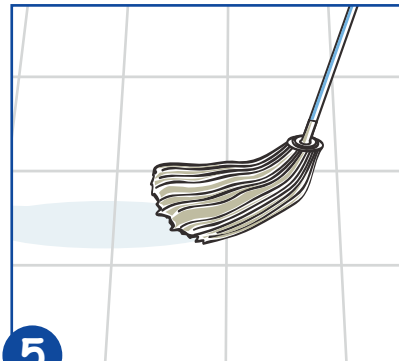
3

Sweep floor.



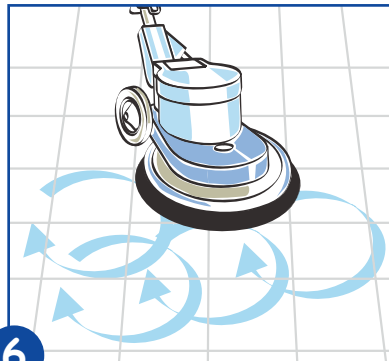
4

Dilute 100ml of solution per 5 litres of cold water in a bucket.



5

Spray floor.



6

When dry buff to a shine using appropriate coloured pad and machine.



7

Once surface is dry remove safety signs.

Health & Safety
Please refer to relevant
COSHH Sheet.